



Smart power conversion for the energy revolution!
Ideal solution for C&I, AC & DC microgrids or electric vehicles, among others.

Innovative technology:

Stabiliti 30C3-CE is an innovative multiport power converter with **3 bidirectional ports (AC/DC/DC)** to easily interconnect **power sources** (grid, PV and storage unit) and **loads** (AC or DC). Using a single multiport converter offers much easier systems **integration, control** and ongoing **maintenance** by simplifying system level hardware and software design. The enclosure is **IP54** and can therefore be installed **indoor** or **outdoor**.

Battery life is **extended** through **galvanic isolation** (protection against grid disturbances). The wide DC voltage range allows the use of **multiple storage** technologies such as lead-acid, lithium-ion, super-caps, aqueous batteries, flow batteries or flywheels. The galvanic isolation also maximizes **PV production** over the long-term, by reducing PID (Potential-Induced Degradation).

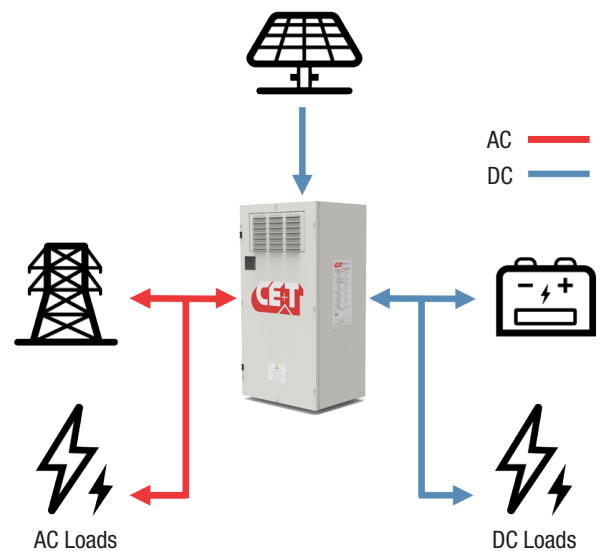
Applications:

The Stabiliti 30C3-CE can be used for energy management applications for:

- **Commercial and Industrial (C&I):**
 - Increase **self-consumption** of **renewable** energy
 - Minimize demand costs by **peak shaving**
 - **Be paid** for **grid support** (re-injection and demand response)
 - **Backup power** for **AC & DC loads**
- **Microgrids:**
 - **Same advantages** as C&I solution but for **several consumers**
 - **Grid interactive** or completely **off-grid**
 - **Save fuel** for generators (Solar + Storage microgrid)
- **Electric vehicles:**
 - Integrate **renewable** energy, **energy storage** with **fast chargers**
 - **Reduce** energy costs and demand costs (via renewable and increased self-consumption)
 - **Supports Vehicle-to-Grid** “V2G” applications

Stabiliti 30C3-CE

3 ports (AC/DC/DC)



Building blocks:

- Stabiliti is a **30 kW modular power converter** that can be used to design systems in any size
- Capable of off-grid operation (**tested up to 240 kW**)

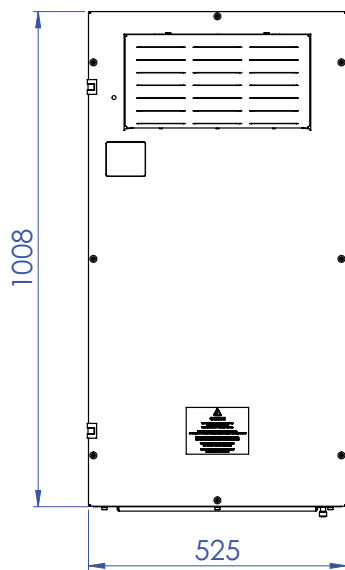
Illustrations are non-binding and may include customized fittings.

Stabiliti 30C3-CE

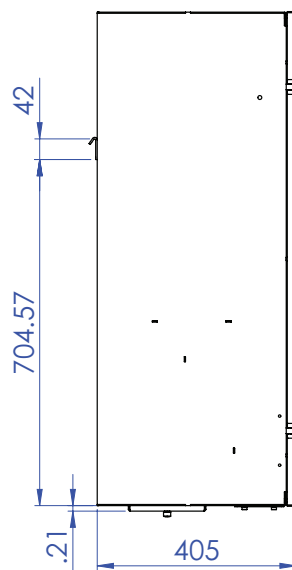
Model	Stabiliti 30C3-CE
General	
Part Number	T831890201
Size (W x H x D)	20.5" x 40" x 16" / 520 x 1016 x 406 mm
Weight	141 lbs / 64 kg
Enclosure protection	Ingress Protection IP54 (powder-coated aluminum)
Mounting	Wall mount (vertical)
Wiring	Hinged access panel
Isolation between AC and DC ports	Galvanic isolation (AC to DC)
International Certifications	Grid interactive certifications: VDE-4105, EN50549-10 (pending), C10/11 (pending)
Compliances	CE, RoHS and Reach
AC1 Bidirectional port – AC Grid Interactive port	
Maximum Output power AC1 port	30 kW*
Nominal current (maximum)	50 Hz: 39 A (44A rms per phase max)
Nominal output voltage	3 x 400 Vac to 3 x 480 Vac*
Nominal output frequency (range)	50 Hz (45 to 55 Hz)
Power factor (programmable range)	> 0.99 at rated output power (0.8 leading to 0.8 lagging)
Reactive power range (programmable)	+21 kVAR to -21 kVAR
Apparent power range (programmable)	-28 to +28kVA (-30 to +30kVA @ 480VAC)
Conversion efficiency (CEC*)	95.5% (95%)
Current harmonics	< 5% THD
Microgrid features	Voltage forming and load following
Microgrid black start	Integrated
DC2 Bidirectional port – Battery default port	
Maximum Power	45kW (above 750Vdc – derating below)
Maximum Current	60 A
Operating Voltage range	200 to 1000 Vdc
Open-circuit voltage (Voc)	1000 Vdc
DC Filter	Integrated differential choke
DC Disconnect	External
Wiring configurations	+ or - ground referenced mono-polar, bipolar or floating
DC3 bidirectional port – Auxiliary default port	
Maximum Power	45kW (above 750Vdc – derating below)
Maximum Current	60 A
Operating Voltage range	200 to 1000 Vdc
Open-circuit voltage (Voc)	1000 Vdc
DC Filter	Integrated differential choke
DC Disconnect	External
Wiring configurations	+ or - ground referenced monopolar, bipolar or floating
Monitoring and control	
Available control methods	AC1 port: Idle, Net, Grid Following, Grid Forming DC2 & DC3 port: Idle, Current, Power, Voltage, MPPT, Net
Monitoring / Control interfaces	RS-485 Modbus RTU - 2W / Modbus TCP over Ethernet
Fault logging	Saves all operating data when a fault occurs
Firmware updates	Remote via Telnet and FTP
Environmental	
Transient overvoltage protection	AC and DC MOVs at AC & DC input terminal
Operating temperature	-25 to 60°C (derating starting at 50°C)
Storage temperature	-40 to 85°C
Relative humidity	0 to 100% (non-condensing)
Cooling	Forced air (with variable speed fan)

* 30 kW at 3x400 Vac require an autotransformer 3x400 to 3x480 Vac.

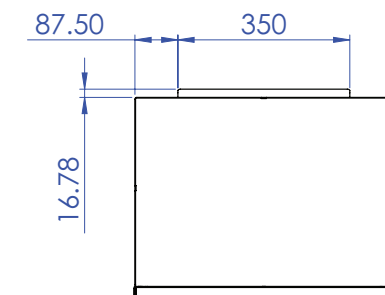
Stabiliti System - Dimensions



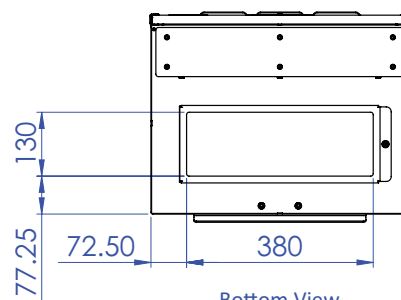
Front View



Left View



Top View



Bottom View

Stabiliti 30C3-CE - Datasheet - v1.2 Specifications can change without notice. New data will be updated on our website: www.cet-power.com.
The present equipment is protected by several international patents, trademarks and copyrights.